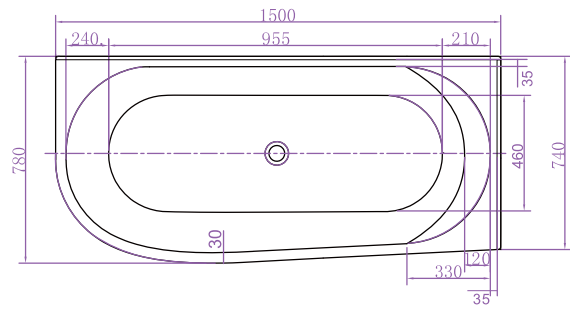


# NATALIA (RIGHT CORNER)

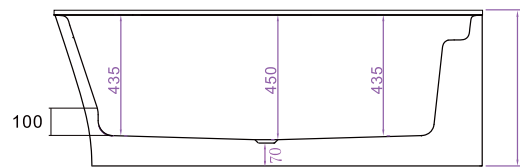
## *Freestanding Bath*



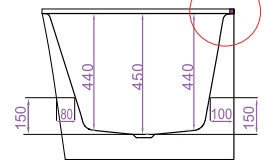
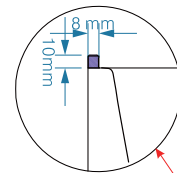
TOP VIEW



FRONT VIEW



SIDE VIEW



### NATALIA RIGHT CORNER BACK TO WALL FREESTANDING BATH

- The Natalia back to wall freestanding bath is designed to be installed into the right corner of your bathroom, supported with a full steel frame. With an exclusive tile bead design it can be checked into a tiled wall to create a water tight seal around the bath rim.

#### MODEL CODE

- NA1500RW

#### SIZE (l)x(w)x(h)

- 1500 x 780 x 550 (mm)

#### CAPACITY BELOW BATH RIM (APPROX.):

- 100mm ~ 165 Litres
- 200mm ~ 125 Litres

### KEY FEATURES

- Back to wall corner Freestanding Bath
- Exclusive Decina design
- Suitable for use in the right corner of the room
- Two sided tile bead for fitting the bath into a tiled wall
- Steel frame bath support
- Premium sanitary grade acrylic
- Made to AS/NZ standard: 2023/1995
- High gloss white
- Centre waste position
- Plug & waste not included

### ACCESSORIES

- Sienna Headrests

### WARRANTY:

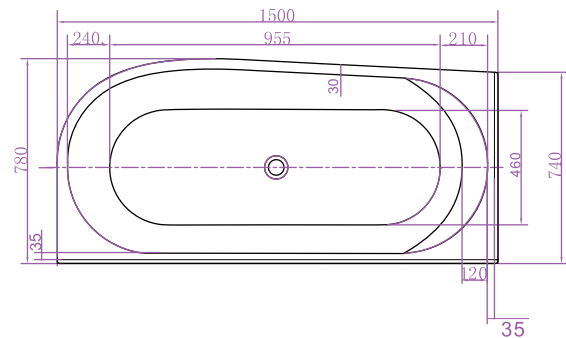
- Ten year warranty - Conditions apply please see website for details

# NATALIA (LEFT CORNER)

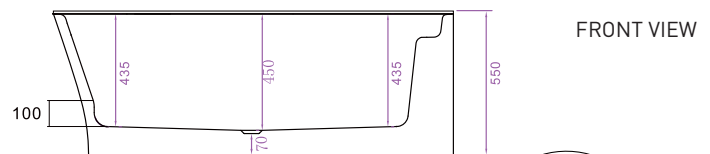
## *Freestanding Bath*



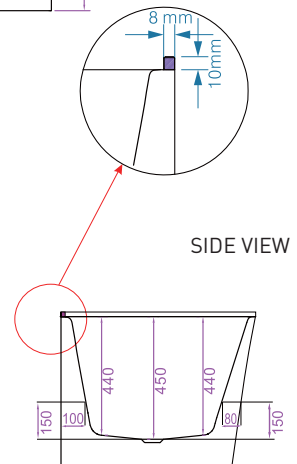
TOP VIEW



FRONT VIEW



SIDE VIEW



### NATALIA LEFT CORNER BACK TO WALL FREESTANDING BATH

- The Natalia back to wall freestanding bath is designed to be installed into the left corner of your bathroom. With an exclusive tile bead design it can be checked into a tiled wall to create a water tight seal around the bath rim.

#### MODEL CODE

- NA1500LW

#### SIZE (l)x(w)x(h)

- 1500 x 780 x 550 (mm)

#### CAPACITY BELOW BATH RIM (APPROX.):

- 100mm ~ 165 Litres
- 200mm ~ 125 Litres

### KEY FEATURES

- Back to wall corner Freestanding Bath
- Exclusive Decina design
- Suitable for use in the left corner of the room
- Two sided tile bead for fitting the bath into a tiled wall
- Steel frame bath support
- Premium sanitary grade acrylic
- Made to AS/NZ standard: 2023/1995
- High gloss white
- Centre waste position
- Plug & waste not included

### ACCESSORIES

- Sienna Headrests

### WARRANTY:

- Ten year warranty - Conditions apply please see website for details