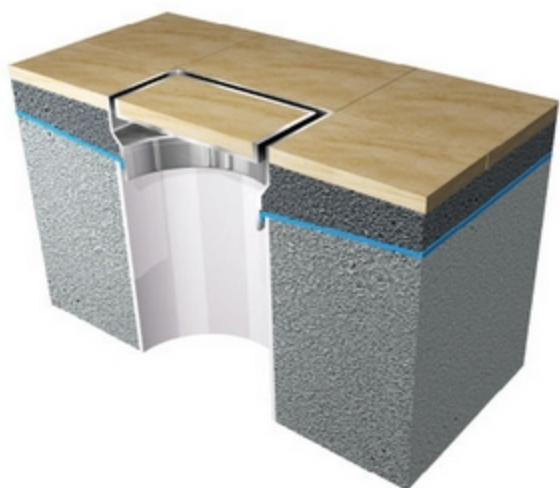


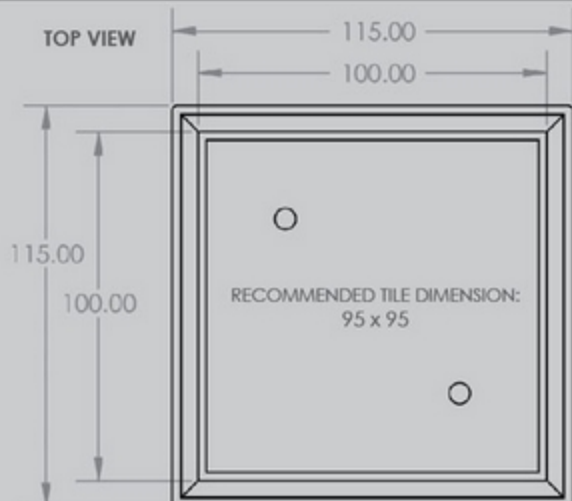
- 1 tile (not included)
- 2 tile insert
- 3 waste body



BERMUDA FLOOR GRATE  
CROSS SECTION VIEW



- 1 tile
- 2 tile insert
- 3 waste body
- 4 screed (mortar bed)
- 5 membrane
- 6 concrete slab
- 7 pipe



UNLESS OTHERWISE STATED  
ALL DIMENSIONS IN MILLIMETRES

