



radiant

TOWEL RAILS

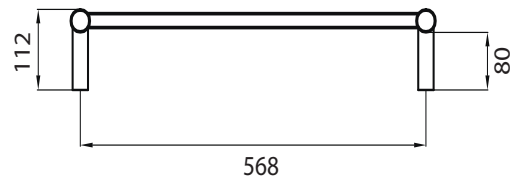
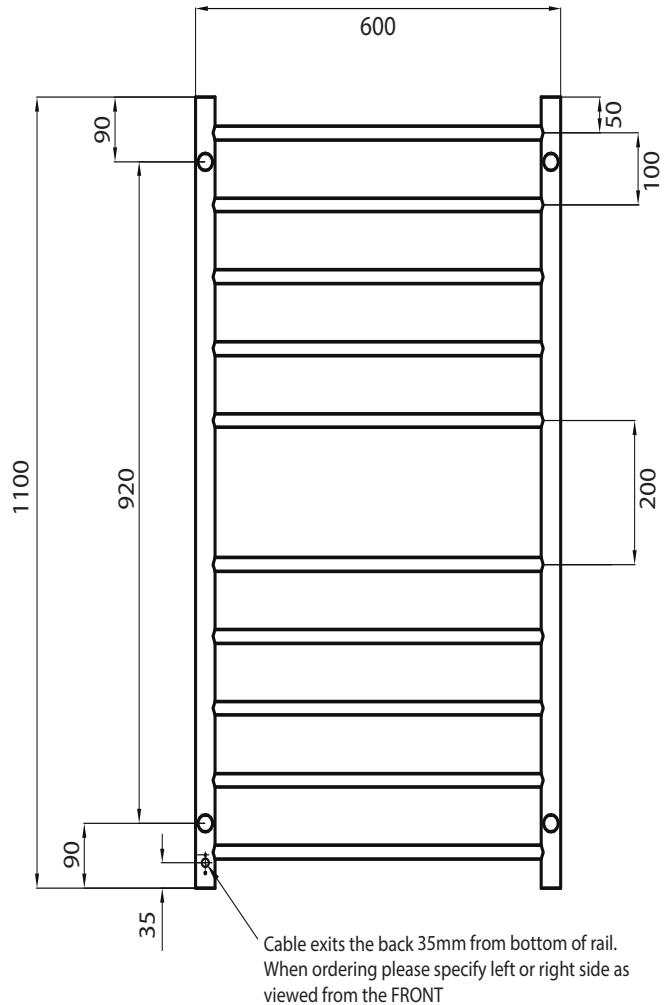
RTR02 Specifications

- 600mm Wide
- 1100mm High
- 304 Grade Stainless Steel
- Mirror Polished Finish
- Hard Wired or Plug In
- 125 Watts
- Vertical Bars 32mm diameter
- Horizontal Bars 19mm diameter
- 10 Bars
- Features - Round bars with central gap
- Can be mounted upside down
- 112mm from wall
- IP Rating - IP55
- Approval - SAA
- 7 year warranty
- Also available in

Matt Black [BRTR02]

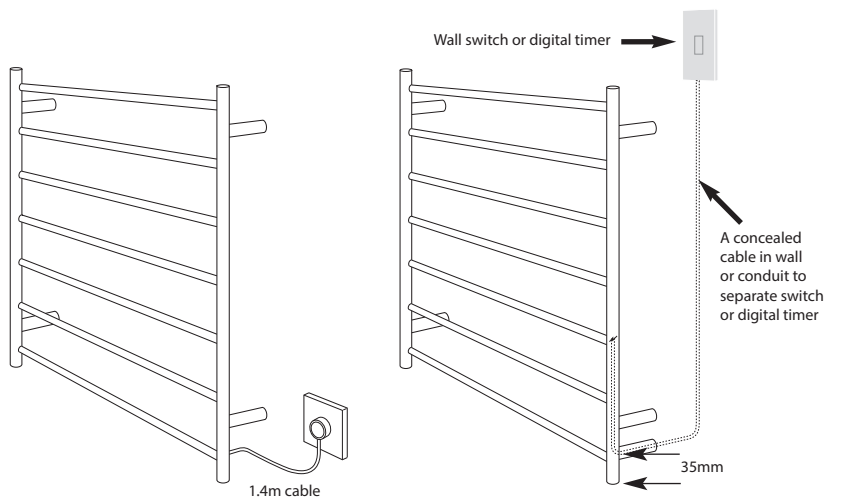
Brushed Satin [BRU-RTR02]

Technical Questions please call
AU: +61 (0)8 6444 1164
NZ: +64 (0)9 950 8836



Plug In

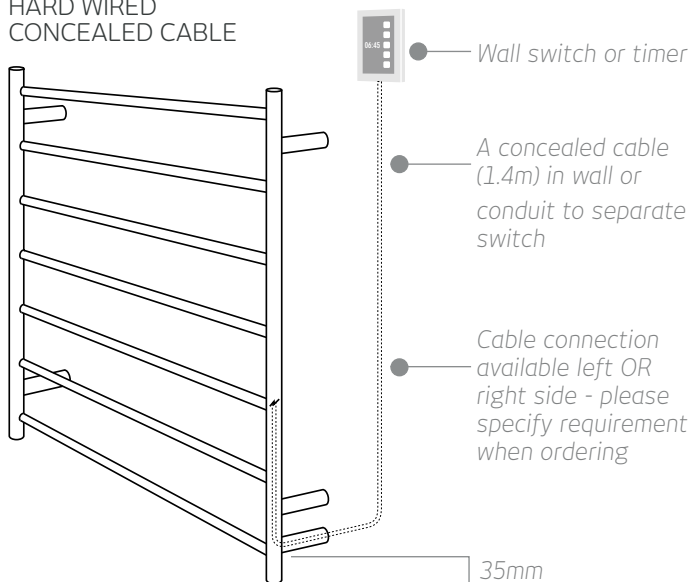
Hard Wired Concealed Cable



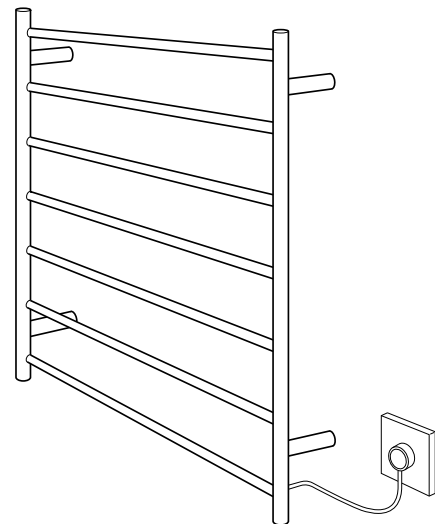
All measurements in mm

INSTALLATION INSTRUCTIONS

HARD WIRED CONCEALED CABLE



PLUG IN



PLEASE READ THESE INSTRUCTIONS BEFORE INSTALLATION

The RTR and STR series of heated towel rails are DUAL PURPOSE. Supplied as Plug In with a moulded plug for 'soft wiring' AND also a concealed fixing kit (fifth leg) for 'hard wiring'.

Please see drawings.

For concealed wiring, a provision needs to be made to connect the towel rail via a switch or timer switch.

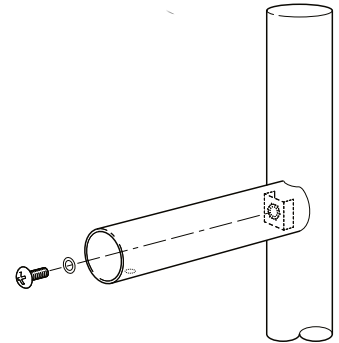
Depending on your preferred switch position the towel rail can be mounted upside down if required.

NOTE: Hard wired installation must be carried out by a licenced electrician. The Radiant Towel Rail range are manufactured in accordance with Australian Standards - SAA Certificate of Approval number V07911, with an IP RATING of IP55 and come with a 7 year replacement warranty

LADDER WIRING
options

STEP 1

Fix the 4 brackets to the towel rail using the 4 short screws provided, ensuring that the screws are pointing downwards. You will need to tighten the brackets sufficiently so that they sit at 90 degrees to the towel rail.

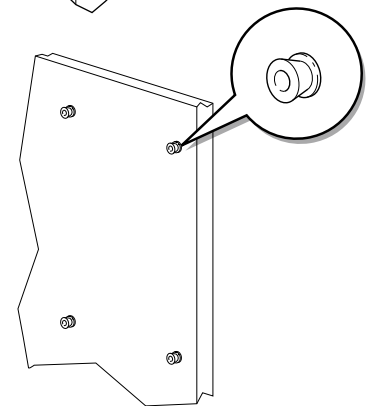
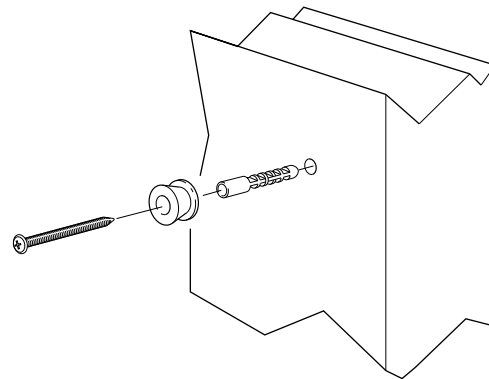


STEP 2

Hold the towel rail in the required position on the wall and carefully mark the centre of the bracket positions. Use a spirit level to ensure that the marks are level and measure to ensure that they are the correct distance apart.

Drill 4 holes and attach the mounting studs as shown in the diagram.

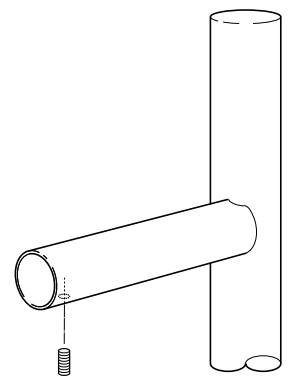
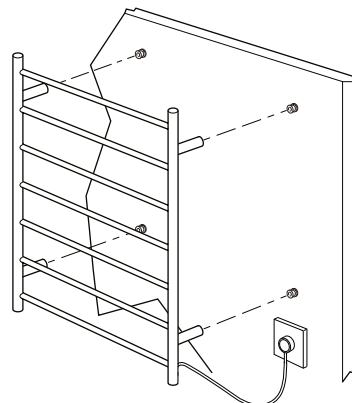
NOTE: The wall plugs provided are designed for brick walls. If you are fixing to timber studs you should use suitable timber screws. If you are fixing to plasterboard, you should use special plasterboard fixings to properly support the weight of the towel rail.



STEP 3

Slide the towel rail over the mounting studs as shown and then tighten the grub screws with the allen key provided.

Once in position the towel rail can be plugged in and used immediately.



HARD WIRING OPTIONS

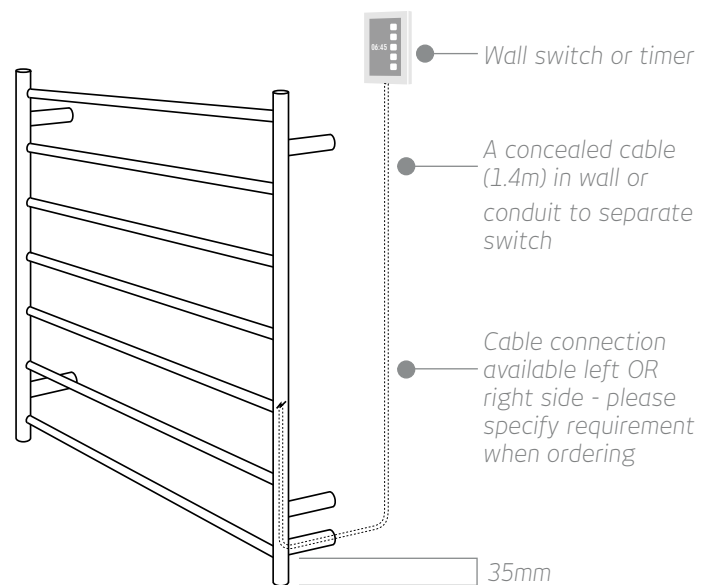
If you choose to hard wire the towel rail to a separate switch, the work must be carried out by a licensed electrician.

To hard wire the towel rail with the cable flex concealed, first remove the 3 pin plug and slide the 5th bracket over the wire.

This bracket is then fixed to the towel rail using the small screw provided.

The cable should then be fed through the conduit in the wall to a separate switch or timer switch - see drawing opposite. If the pre-wiring is already in place, a waterproof heat shrunk junction can be done by the electrician inside the concealment tube.

HARD WIRED CONCEALED CABLE



CARE OF YOUR TOWEL RAIL

Radiant heated towel rails are manufactured from stainless steel and it is recommended that you clean them regularly with a soft damp cloth. If you need to use a cleaning product you should only use a product suitable for cleaning a polished stainless steel surface.

AUSTRALIAN STANDARDS IP RATINGS

GUIDANCE ON THE SELECTION AND INSTALLATION OF ELECTRICAL EQUIPMENT FOR BATHS, SHOWERS AND OTHER FIXED WATER CONTAINERS

| EQUIPMENT | ZONE 0 | ZONE 1 | ZONE 2 | ZONE 3 |
|---|---|----------------|---|--|
| Clause 6.2.4.2 Socket outlets | Not permitted | Not permitted | (a) A shaver outlet; OR (b) RCD-protected and in a cupboard (no specified IP rating) | (a) <0.3m Not permitted (b) >0.3 m No IP rating* but shall have (i) RCD protection; OR (ii) Separated supply; OR (iii) SELV OR PELV supply |
| Clause 6.2.4.3 Swiches / Accessories | Not permitted | Same as zone 2 | <0.3 M Not permitted >0.3 M IPX4* | |
| Clause 6.2.4.4 Luminaires | IPX7 and specifically for use and SELV or PELV supply | IPX4* | IPX4*; OR Class II construction (double of reinforced insulation); OR SELV or PELV; OR Recessing into ceiling | NO IP rating* |
| Clause 6.2.4.5 Other | IPX7 and specifically for use and SELV or PELV supply | IPX4* | IPX4* OR Recessed into ceiling | NO IP rating* |
| Clause 6.2.4.6 Switchboards | Not permitted | Not permitted | Not permitted | Not permitted |

* Degree of protection IPX5 required in communal baths/showers

COPYRIGHT P249 Australian Electrical standards

ALL RADIANT TOWEL RAILS CAN BE PLACED IN THE SHOWER.

Do your customers believe they need a low voltage towel rail in order that they can place them in the shower, or above the bath?

All Radiant Ladder Towel Rails are 240V but are also rated IP55, which when hard wired, is one of the highest ratings available in Australia and the rest of the world.

This means the towel rail is protected against

water jets from any direction. IP55 rating generally allows for installation in "Zone 1" meaning in close proximity to the bath or shower (including above the bath). These must be 'hard wired' however to a switch which is positioned in 'Zone 3'.

This should be all you need to tell your customers and in turn the Electrician!

