

# KYRA 017

## CERAMIC BASIN

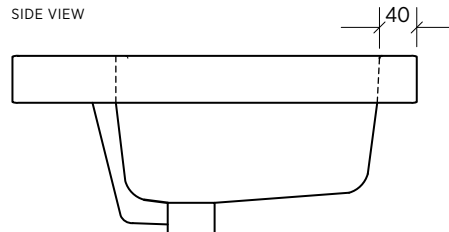
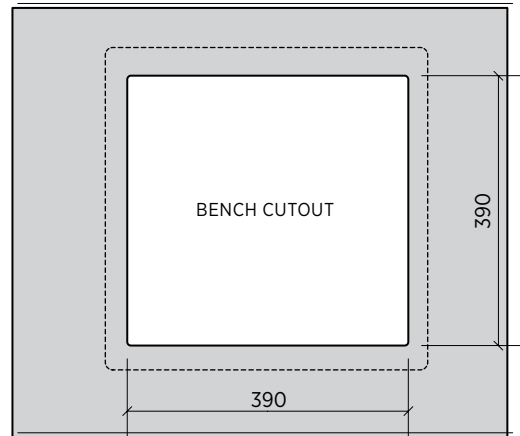
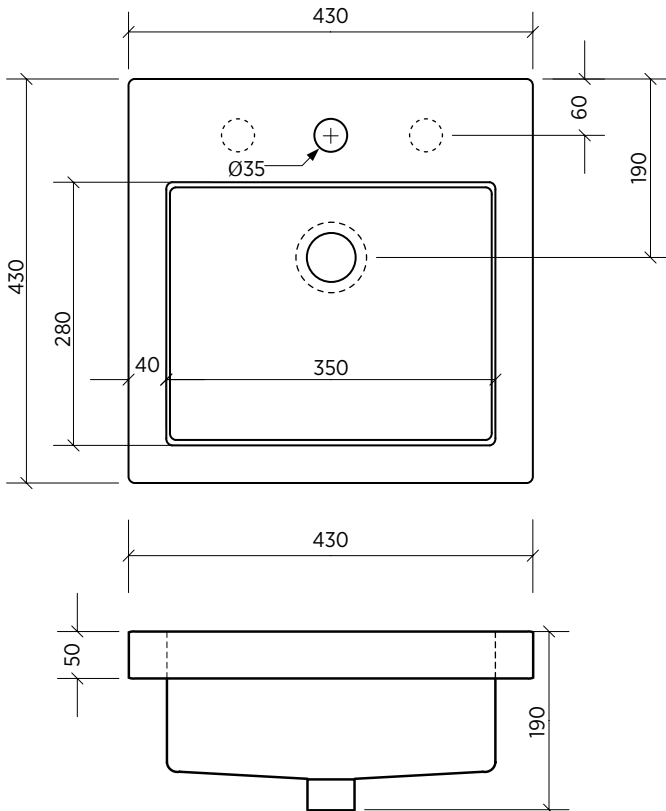


### Inset above counter basin, square

This inset basin has distinctive square styling and generous capacity in a compact space. The basin sits low on the benchtop with most of the basin sitting below. The wide rim enables this inset basin to be used with a variety of benchtop materials.

<b>ORDER CODE</b>	<b>WHITE (GLOSS FINISH)</b>	
191447	Kyra 017, white, 1 taphole	Old code: SBC-017
191448	Kyra 017, white, no taphole	Old code: SBC-017-0T
1914449	Kyra 017, white, 3 tapholes	Old code: SBC-017-3T
	<b>BLACK (SILK MATTE FINISH)</b>	
191450	Kyra 017, black, 1 taphole	Old code: SBC-017K
191451	Kyra 017, black, no taphole	Old code: SBC-017K-0T
191452	Kyra 017, black, 3 tapholes	Old code: SBC-017K-3T

<b>TAPHOLE</b>	0, 1 or 3 tapholes.
<b>WASTE</b>	Suits standard 32 mm waste with overflow (not supplied).
<b>CAPACITY</b>	7 litres.
<b>OVERFLOW</b>	Standard with overflow.
<b>MATERIAL</b>	Vitreous china.
<b>FIXING</b>	Always use the actual basin to verify cutout. Use silicone sealant. Do not use epoxy type adhesives.



 Basin has integrated overflow

# SEIMA

bathroom | kitchen | laundry

seima.com.au

### Please note

- All measurements are in millimetres.
- Dimensions are nominal and subject to normal ceramic manufacturing variations of ±5mm.
- Fixing: Use silicone sealant. DO NOT USE EPOXY TYPE ADHESIVES.
- Always use the actual basin to verify cutout.
- Specifications may vary without notice as part of our continuous improvement practices.
- Clean with a damp cloth. Do not use abrasive cleaners, liquids or pastes.

kyra-017-ds | v.2.0