



G E M I N I


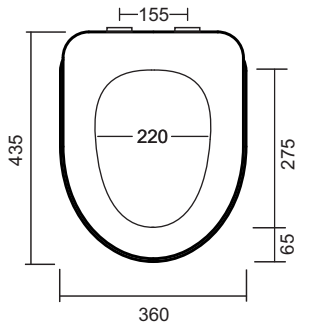
# TOILET SEATS

September 2014

SUPERSEDES ALL PREVIOUS ISSUES


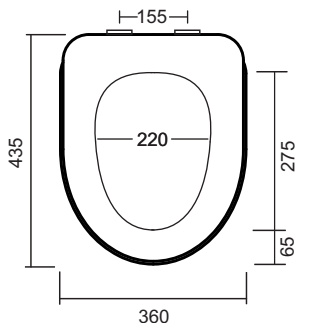
## DELUXE SOFT CLOSE

10.1

	<p>A compression moulded seat with four moulded buffers. Concealed top-fix chromed soft close hinges. This seat can be used with the following pans: Proteus II, Space Solutions, Beta, Berlin</p>	
<p>Code <b>C90801</b></p>		


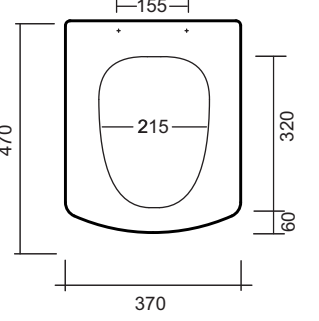
## DELUXE STANDARD

10.2

	<p>A compression moulded seat with four moulded buffers. Top-fix stainless steel hinges. This seat can be used with the following pans: Proteus, Space Solutions, Beta, Berlin</p>	
<p>Code <b>C90802</b></p>		


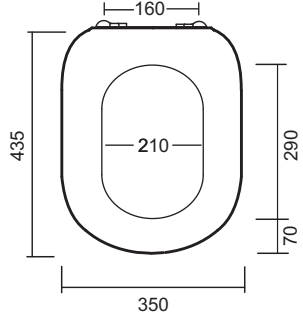
## TETRAGON SOFT CLOSE

10.4

	<p>A thermo-plastic seat with four moulded buffers. Concealed top-fix chromed soft close hinges. This seat is designed specifically for fitting to the Tetragon toilet suite.</p>	
<p>Code <b>C90841</b></p>		

## HERITAGE

10.8

	<p>A compression moulded seat with four moulded buffers. Top-fix stainless steel hinges. This seat is designed specifically for fitting to the Colonial Close Coupled toilet suite.</p>	
<p>Code <b>6400</b></p>		

All dimensions are in millimetres and are subject to normal manufacturing variation.  
As product development is ongoing Gemini reserves the right to vary specifications without notice



G E M I N I


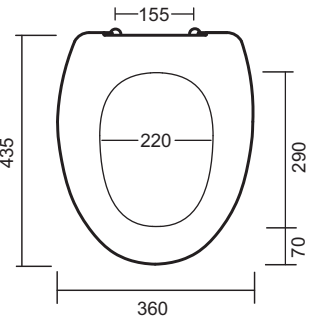
# TOILET SEATS

September 2014

SUPERSEDES ALL PREVIOUS ISSUES


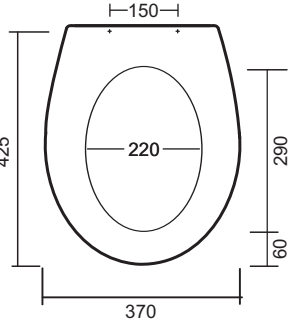
## LUTON

**10.10**

	<p>A contoured style thermo-plastic seat with two moulded buffers. Bolt-through stainless steel hinges. Supplied as standard with the Civic Plus and Charm II Close Coupled suites and can also be used with the following pans: Mode, Mode Deluxe</p>	
Code		<b>J2802</b>


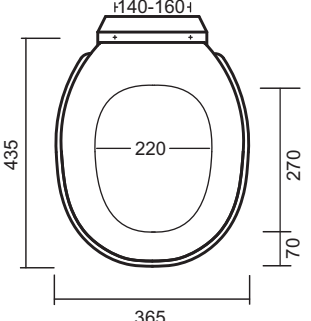
## COTTAGE ONE PIECE

**10.13**

	<p>A thermo-plastic seat with four moulded buffers. Concealed top-fix soft close hinges. This quality seat is designed specifically for fitting to the Cottage One Piece toilet suite.</p>	
Code		<b>J2805</b>

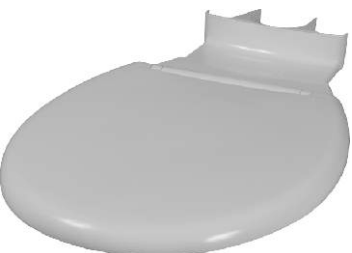
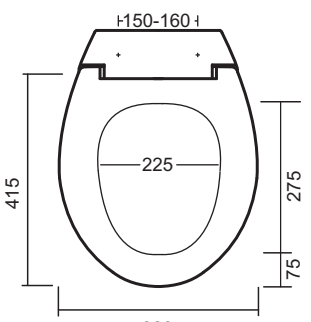
## COTTAGE

**10.15**

 <p style="font-size: small; text-align: center;">SEAT WITH OPTIONAL LINK PIECE SHOWN</p>	<p>A thermo-plastic seat with four buffers. Bolt-through hinges. This medium weight seat is designed specifically for general use. A link fitting for concealing the flush pipe is available. This seat can be used with the following pans: Mode, Mode Deluxe, Impact.</p>	
Code Seat and cover		<b>G1027</b>
Code Link Assembly		<b>X017A</b>

## MODE

**10.16**

 <p style="font-size: small; text-align: center;">SEAT WITH OPTIONAL LINK PIECE SHOWN</p>	<p>A thermo-plastic bufferless seat. Bolt-through hinges. This medium weight seat is designed for general use and may be suitable for retro-fitting. A link fitting for concealing the flush pipe is available. This seat can be used with the following pans: Mode, Mode Deluxe, Impact.</p>	
Code Seat and Cover		<b>G1028</b>
Code Link Piece		<b>X025</b>

All dimensions are in millimetres and are subject to normal manufacturing variation.  
As product development is ongoing Gemini reserves the right to vary specifications without notice



G E M I N I

# TOILET SEATS

September 2014

SUPERSEDES ALL PREVIOUS ISSUES

## COLONIAL TIMBER

10.17

	A wooden toilet seat with four moulded buffers. Dark Mahogany stained finish. Bolt-through cast hinges - chrome or brass finish. This seat is suitable for use with the following pans: Colonial, Colonial Feature, Mode Deluxe	
	Code Chrome Hinge <b>3000MC</b> Code Brass Hinge <b>3000MB</b>	

## LIFE SOFT CLOSE

10.19

	A thermo-plastic seat with four moulded buffers. Concealed top-fix soft close hinges. This quality seat is designed specifically for fitting to the Life toilet suite.	
	Code <b>J2807</b>	

## NEW PLAZA SOFT CLOSE/QUICK RELEASE

10.20

	A compression moulded seat with four moulded buffers. Concealed top-fix soft close hinges with quick release. Supplied as standard with the Plaza Plus and close coupled suites and can also be used with the following pans: Mode, Mode Deluxe	
	Code <b>RB6041</b>	

## LIVING

10.21

	A thermo-plastic seat with four moulded buffers. Bolt-through hinges. This quality seat is designed specifically for fitting to the Living close coupled toilet suite.	
	Code <b>C9088</b>	

All dimensions are in millimetres and are subject to normal manufacturing variation. As product development is ongoing Gemini reserves the right to vary specifications without notice


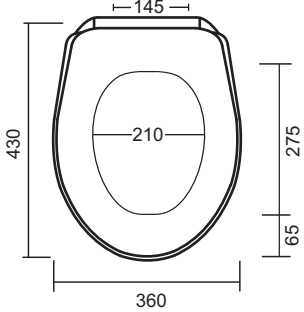


G E M I N I

<h1>TOILET SEATS</h1>
<h2>September 2014</h2>
<small>SUPERSEDES ALL PREVIOUS ISSUES</small>


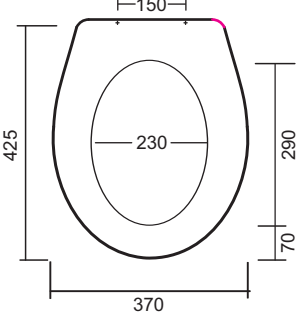
### MIRAGE CLOSE COUPLED

10.22

	<p>A thermo-plastic seat with four moulded buffers. Concealed bolt-through hinges. This quality seat is designed specifically for fitting to the Mirage close coupled toilet suite.</p>	
Code		<b>I2800</b>


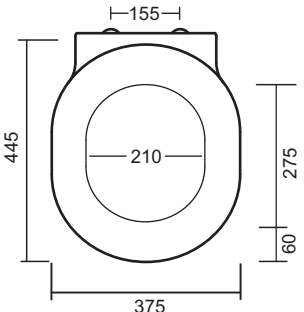
### MIRAGE FLUSH TO WALL

10.23

	<p>A thermo-plastic seat with four moulded buffers. Top-fix soft close quick release hinges. This quality seat is designed specifically for fitting to the Mirage Flush to Wall toilet suite.</p>	
Code		<b>I2801</b>


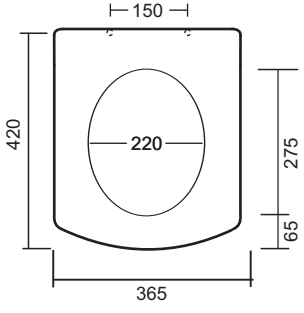
### OLIX SOFT CLOSE/QUICK RELEASE

10.24

	<p>A compression moulded seat with four moulded buffers. Top-fix soft close quick release hinges. This quality seat is designed specifically for fitting to the Olix range of toilet suites and pans</p>	
Code		<b>C9085</b>

### MELISE SOFT CLOSE/QUICK RELEASE

10.25

	<p>A compression moulded seat with four moulded buffers. Top-fix soft close quick release hinges. This quality seat is designed specifically for fitting to the Melise toilet suite and wall faced pan</p>	
Code		<b>I2803</b>

All dimensions are in millimetres and are subject to normal manufacturing variation.  
As product development is ongoing Gemini reserves the right to vary specifications without notice



G E M I N I

# TOILET SEATS

September 2014

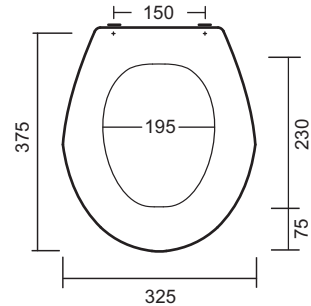
SUPERSEDES ALL PREVIOUS ISSUES

## EGG (CHILD)

10.26



A compression moulded seat with two moulded buffers.  
Bolt-through stainless steel hinges.  
This quality seat is designed specifically for fitting to the Egg child's toilet suite.



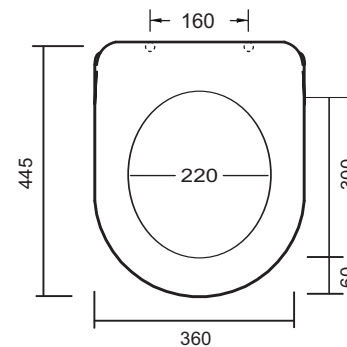
Code Brass Hinge **C9007**

## HEART SOFT CLOSE/QUICK RELEASE

10.27



A compression moulded seat with four moulded buffers.  
Top-fix soft close quick release hinges.  
This quality seat is designed specifically for fitting to the Heart toilet suite.



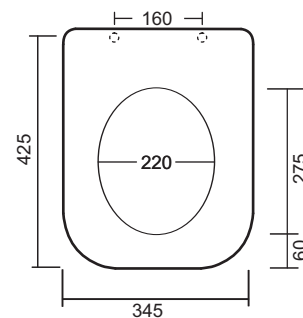
Code **J2809**

## CATO SOFT CLOSE/QUICK RELEASE

10.28



A compression moulded seat with four moulded buffers.  
Top-fix soft close quick release hinges.  
This quality seat is designed specifically for fitting to the Cato toilet suite.



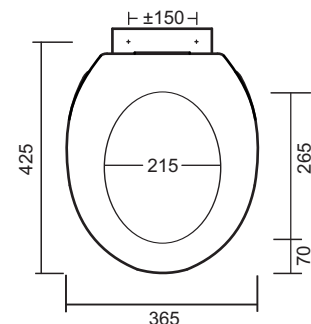
Code **I2804**

## SELECT

10.29



A thermo-plastic seat with four integral buffers.  
Concealed bolt-through hinges.  
Supplied as standard with the Select and Que cistern seat and link and can also be used with the following pans:  
Mode Deluxe



Code **B103801**

All dimensions are in millimetres and are subject to normal manufacturing variation.  
As product development is ongoing Gemini reserves the right to vary specifications without notice



G E M I N I

# TOILET SEATS

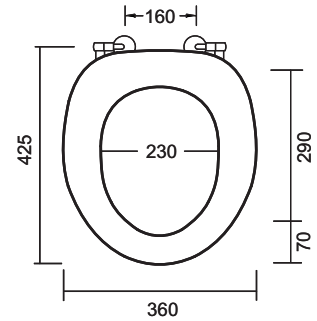
September 2014

## IMEX ASSIST

10.30



A compression moulded seat with two moulded buffers.  
 Bolt-through stainless steel hinges.  
 Incorporates lateral stabilisers  
 Available in Blue or White  
 This seat can be used with the following pans: Imex Assist



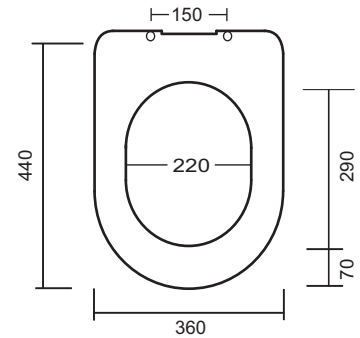
Code - Blue	<b>B6015B</b>
Code - White	<b>B6015W</b>

10.31

## LIFE ASSIST



A compression moulded seat with five moulded buffers.  
 Concealed top-fix hinges.  
 Incorporates lateral stabilisers  
 Available in Blue or White  
 This quality seat is designed specifically for fitting to the Life Assist toilet suite.



Code - Blue	<b>RB6044B</b>
Code - White	<b>RB6044W</b>



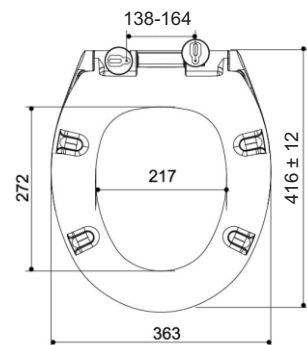
Blue version of the above seats comply with AS 1428.1 standard for access and mobility requirements.

## R&T ROUND

10.32



A compression moulded seat with four moulded buffers.  
 Concealed top-fix hinges.  
 Soft close mechanism  
 This quality seat is designed to fit on most standard round shape toilet pan.



Code	<b>RB6011</b>
------	---------------