

# Diseno Bottle Trap

Know-how  
from  
Switzerland

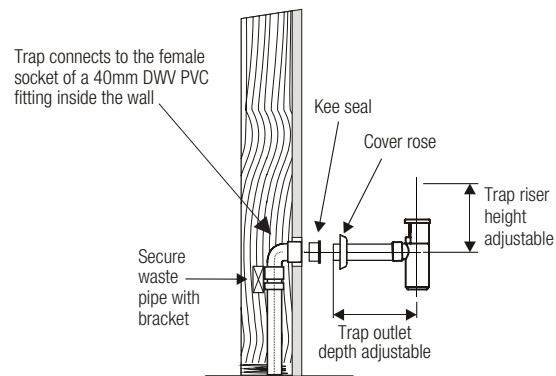
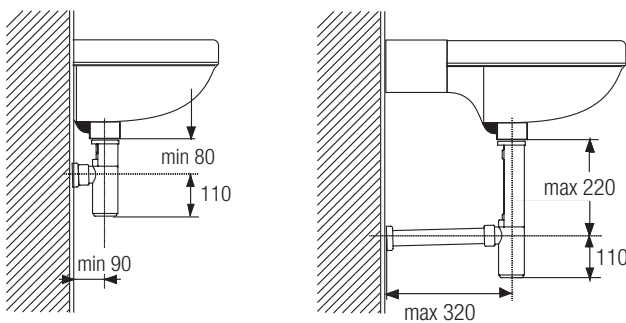
# Diseno Bottle Trap

## Description

The Geberit Diseno trap matches stylish wash basins beautifully. It is the solution to enhance bathroom looks even under the basin. The trap is supplied with maximum length as indicated and can be shortened to minimal adjustments with a standard hacksaw. No further tools are required to install it.

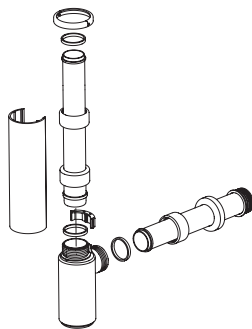
## Features include:

- Chrome plated finish
- Connection set to 40mm DWV socket
- Adapter for 32mm basin plugs
- Variable length adjustment
- Easy installation
- Watermark approved Lic No. C of C 20056



## Easy Wall Connection

A comprehensive connection set ensures elegant, easy and safe connection to the socket of a 40mm PVC DWV in-wall fitting. No silicone seals required!



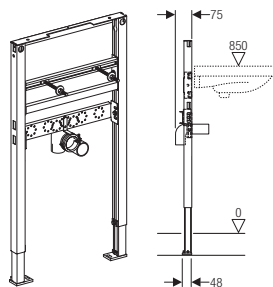
## Description

Diseno Trap 1½" x 40mm, chrome incl. adaptor, keel seal 40 x 43mm

## Art. No.

170.130.21.1

## Geberit element for washbasin



## Description

Geberit Duofix element for washbasin, construction height 980/820mm

## Art. No.

111.490.00.1