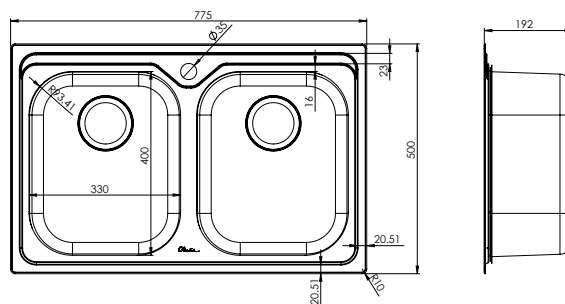


Oliveri®

Model: DZ23TU



FEATURES

Custom made accessories

Transforms the sink into a streamlined food preparation area.

Universal sink

Suitable for both topmount and undermount installation.

Rear waste outlets

Allows the maximum space amount of usable space in the cupboards below.

18/10 Stainless utility tray

Creates a space for draining dishes and is included with the sink.

INCLUDED ACCESSORIES



AC14
Basket waste



AC15
Bamboo board



AC18
Colander



AC33
Utility tray

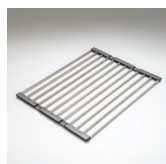
MATCHING ACCESSORIES



SP28B
Basket Waste Plug



AC03
Drainer basket



AC35
Foldamate



AC29
Opti-space connector

RECOMMENDED TAPWARE



MT0272C
WELS 4 star
7.0 L per min

MT0079C
WELS 4 star
6.5 L per min

SPECIFICATIONS

Description

Double bowl topmount or undermount sink

Sink Size

775W x 500H

Main Bowl

330W x 400H x 180D / 21L

Main Bowl

330W x 400H x 180D / 21L

Construction

2 piece, bowls & drainer seam welded

Material

304 grade, 18/10 polished stainless steel (0.8mm thick)

Installation

Topmount or undermount

EAN

9324974012335

Fixings

N/A

Cut out template

oliveri.com.au

Min cabinet size

800mm

Tap holes

Available 1 tap hole only

Waste fittings

2 x 90mm basket waste included

Overflow

Special order option available

Carton size

830 x 540 x 240 mm

Weight

9kg

Warranty

Lifetime manufacturer's warranty (refer to oliveri.com.au)



For more information call **1300 137 465** or visit **oliveri.com.au**