

NIMOS 027

CERAMIC BASIN

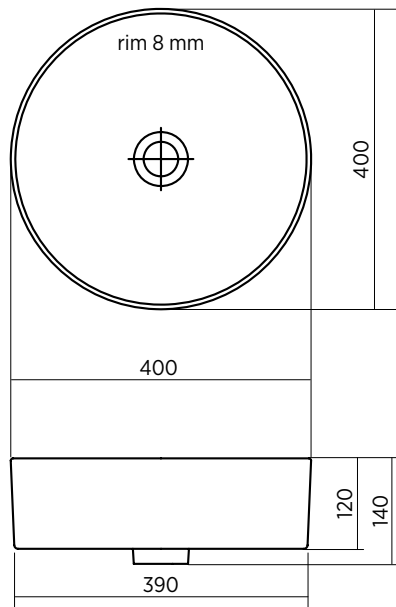


Above counter basin, round | Slimline Series

The refined characteristics of the Slimline basins will bring a sense of purity and natural elegance to any bathroom.

The superfine rim and slender, precise lines of the Slimline Series of basins are made possible through the superior properties of Superclay, an exceptionally durable ceramic that has a 20% higher tensile strength than normal ceramic.

ORDER CODE	191461	Nimos 027, white gloss, with Nanoglaze	Old code: SBC-027
	191462	Nimos 027, black silk matte	Old code: SBC-027K
TAPHOLE	No taphole.		
WASTE	Suits standard 40 mm non-overflow waste (not supplied).		
OVERFLOW	No overflow.		
MATERIAL	Vitreous china. White basin has ultra-smooth nanoglaze surface. Black basin has silk matte finish.		
FIXING	Always use the actual basin to verify cutout. Use silicone sealant. Do not use epoxy type adhesives.		



 *White only.* Nanoglaze surface – ultra-smooth, anti-bacterial, easy to clean.

Please note

- All measurements are in millimetres.
- Dimensions are nominal and subject to normal ceramic manufacturing variations of ±5mm.
- Fixing: Use silicone sealant. DO NOT USE EPOXY TYPE ADHESIVES.
- Always use the actual basin to verify cutout.
- Specifications may vary without notice as part of our continuous improvement practices.
- Clean with a damp cloth. Do not use abrasive cleaners, liquids or pastes.